

Ultracell®

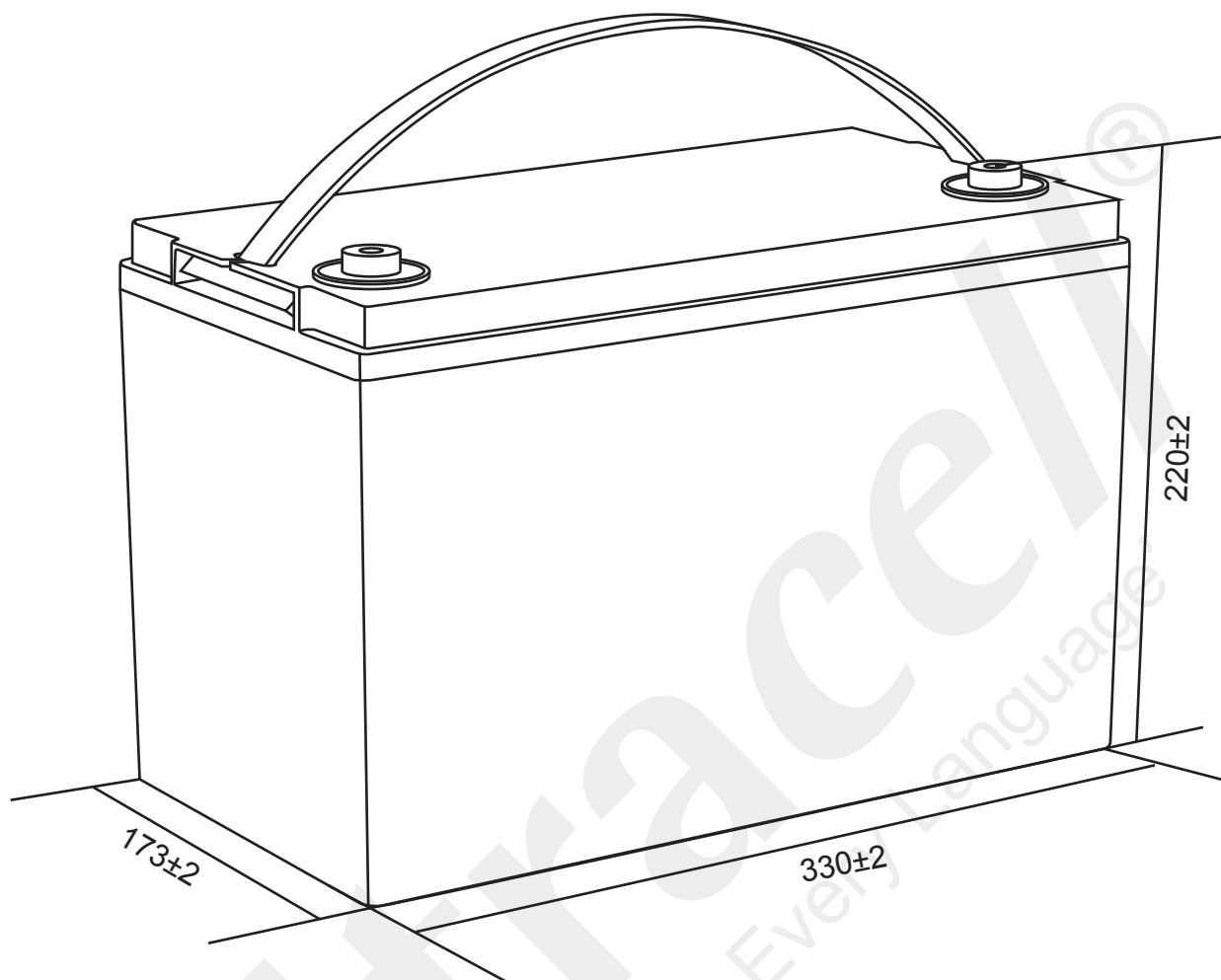
'Quality in Every Language'

UC100-12E

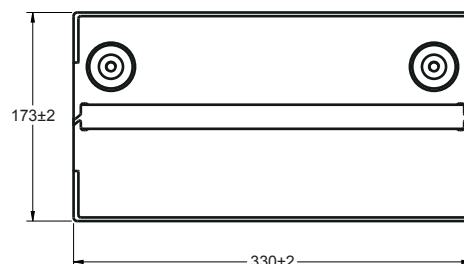
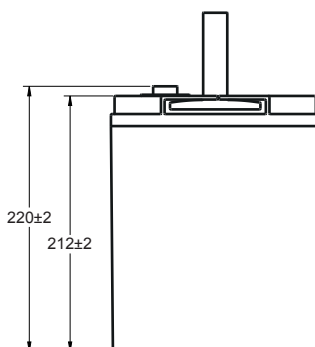
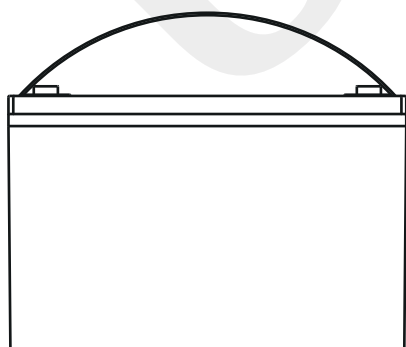
12V 100Ah (C₁₀)

12V 115Ah (C₁₀₀)

Deep Cycle Series



Technical Dimensions (mm)



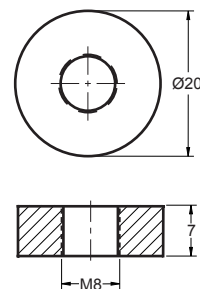


Image

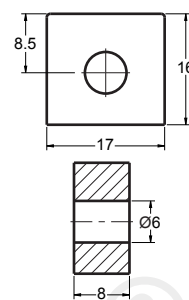


Terminal Dimensions (mm)

Standard Terminal: F11



Optional Terminal: F10



Technical Specification

Output	Nominal Voltage	12V
	Nominal Capacity (10HR)	100Ah
Terminal Type	Standard Terminal	F11
	Optional Terminal	F10
Container Material	Standard Option	ABS
	Flame Retardant Option (FR)	ABS (UL94:VO)
Rated Capacity	(20HR 1.80V/cell, 25°C)	103.0 Ah/5.15A
	(10HR 1.80V/cell, 25°C)	100.0 Ah/10.0A
	(5HR 1.75V/cell, 25°C)	89.0 Ah/17.8A
	(3HR 1.75V/cell, 25°C)	81.3 Ah/27.1A
	(1HR 1.60V/cell, 25°C)	62.5 Ah/62.5A
Max Discharge Current	1000A (5s)	
Internal Resistance	Approx 4.9mΩ	
Discharge Characteristics	Operating Temp Range	Discharge: -15 ~ 50°C Charge: 0 ~ 40°C Storage: -15 ~ 40°C
	Nominal Operating Temp Range	25 ± 3°C
	Cycle Use	Initial Charging Current less than 30A. Voltage 14.4V ~ 15.0V @ 25°C Temp. Coefficient -30mV/°C
	Standby Use	No limit on initial charging current. Voltage 13.5V ~ 13.8V @ 25°C Temp. Coefficient -20mV/°C
	Capacity affected by Temperature	40°C 103% 25°C 100% 0°C 86%
Design Floating Life at 20°C	8 Years	

Self Discharge

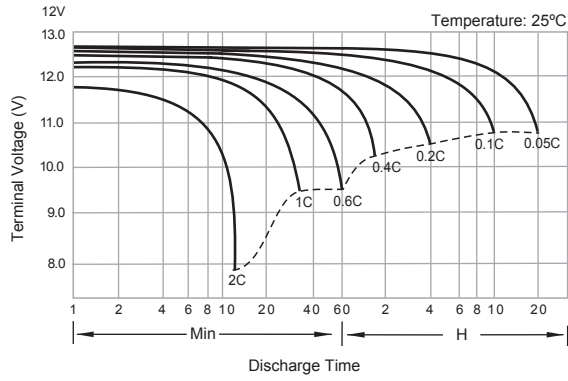
Ultracell[®] UC batteries may be stored for up to 6 months at 25°C and then a refresh charge is required. For higher temperatures the time intervals will be shorter.

Constant Current Discharge / Constant Power Discharge At 25°C (Amperes & Watts/Cell)

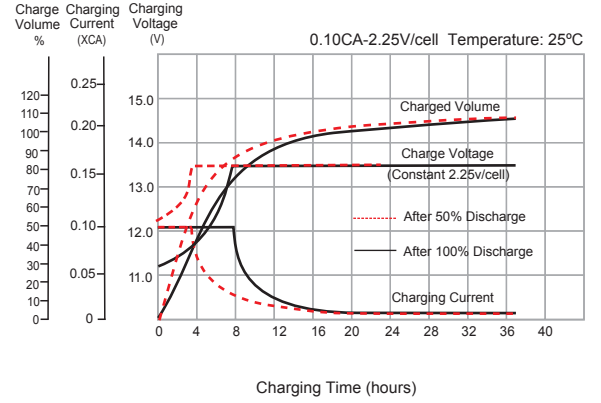
A = Amperes W = Watts

F.V/TIME	5 min	10 min	15 min	20 min	30 min	45 min	60 min	90 min	2 hours	3 hours	4 hours	5 hours	6 hours	8 hours	10 hours	20 hours
1.85V/cell	A	195.7	139.2	125.7	98.9	88.4	64.6	54.7	39.7	33.4	24.5	19.2	16.7	14.7	11.3	9.36
	W	365.6	261.8	238.0	188.0	168.9	124.3	105.9	77.0	64.9	47.8	37.7	32.8	29.0	22.4	18.6
1.80V/cell	A	222.6	158.0	142.4	111.8	96.2	68.5	56.7	41.0	34.4	26.6	20.5	17.5	15.8	11.9	10.0
	W	408.9	292.9	266.2	210.3	182.4	130.8	109.1	79.2	66.7	51.7	40.1	34.4	31.1	23.5	19.5
1.75V/cell	A	241.8	171.3	154.2	120.7	98.2	71.0	59.5	43.1	36.3	27.1	20.9	17.8	15.9	11.9	10.1
	W	436.5	312.6	284.1	224.5	184.7	134.7	114.0	82.9	69.9	52.5	40.7	34.9	31.2	23.6	19.6
1.70V/cell	A	258.5	182.7	163.8	127.9	100.2	72.4	60.7	44.0	37.0	27.6	21.2	18.1	16.0	12.1	10.2
	W	458.8	328.6	298.7	236.0	186.8	136.5	115.6	84.1	71.0	53.3	41.2	35.3	31.3	23.9	19.8
1.67V/cell	A	267.5	188.5	168.6	131.4	101.6	73.4	61.6	44.6	37.5	27.9	21.6	18.5	16.1	12.3	10.3
	W	466.3	334.0	303.6	239.8	188.2	137.7	116.7	84.9	71.8	53.6	41.7	35.9	31.4	24.2	20.0
1.60V/cell	A	277.0	194.9	173.8	134.8	103.1	74.5	62.5	45.3	38.1	28.1	21.8	18.8	16.2	12.5	10.4
	W	472.8	338.7	307.8	243.2	189.0	138.4	117.5	85.6	72.3	53.8	42.0	36.3	31.5	24.5	20.2

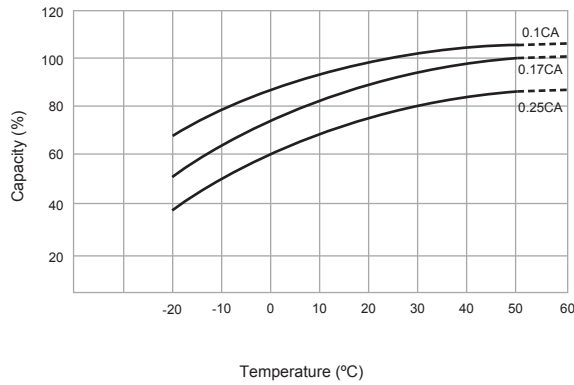
Discharge Characteristics



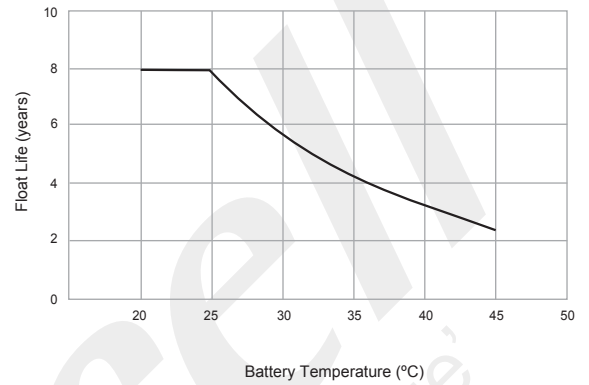
Float Charging Characteristics



Temperature Effects in Relation to Battery Capacity



Effects of Temperature on Long Term Float Life



UC100-12E
 12V 100Ah (C₁₀)
 12V 115Ah (C₁₀₀)
 Deep Cycle Series

